

Emry Mantel

Name: _____

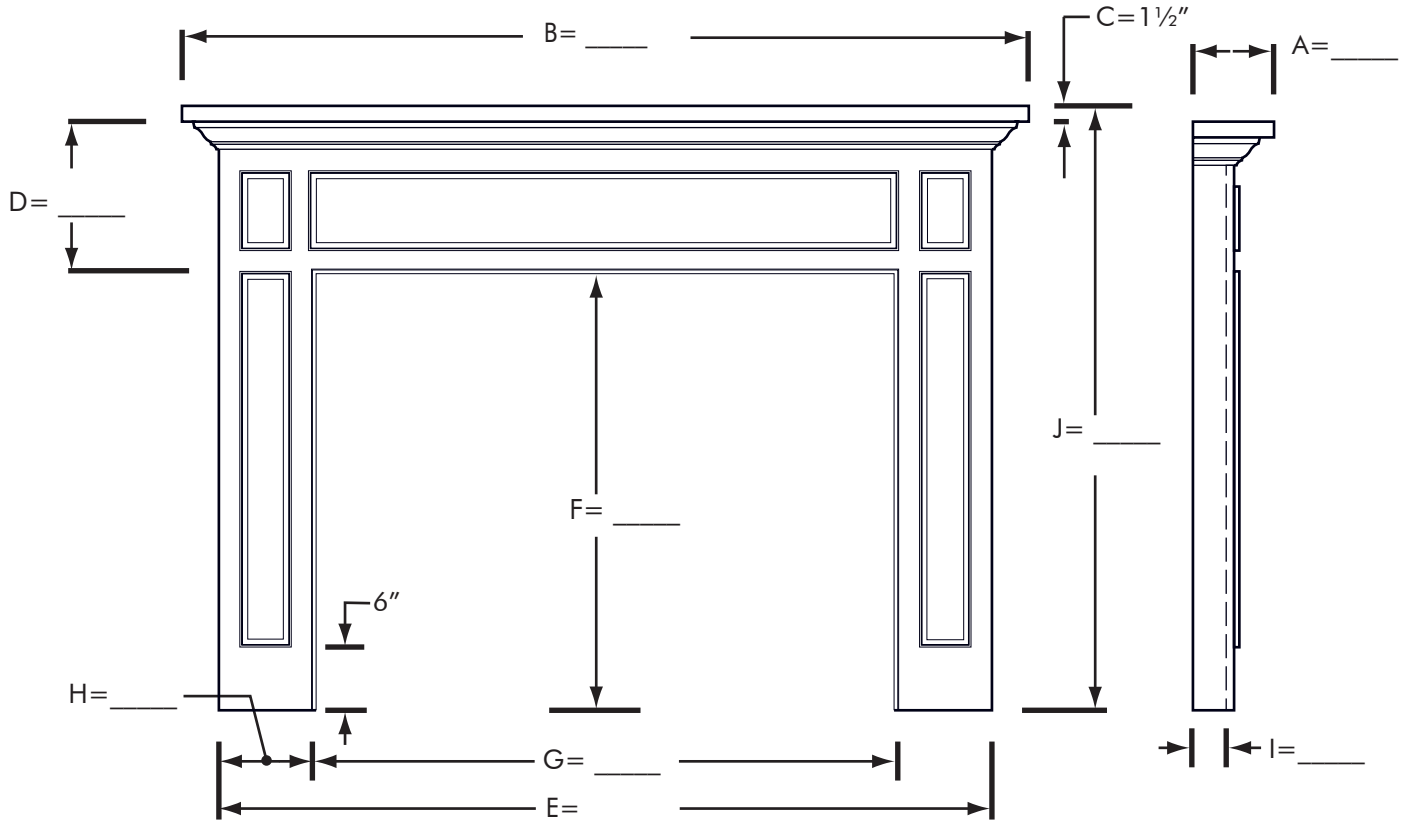
Phone: _____

- Paint grade
- Red oak
- White Oak
- Maple
- Cherry
- Mahogany
- _____

PO# _____

SO # _____

Order # _____



Please fill in all dimensions for an Emry Mantel:

A=I plus at least 3 1/2", 4" or more is better.

B=E plus at least 6". 7" is better.

C=1 1/2"

D=at least 12", 14" or more is better.

E=G+2(H)

F & G measurements do not include opening trim.

H=Leg dimension, at least 7", 9" is much better.

I is ALWAYS an interior, mantel cavity dimension. This is the depth of the masonry to be covered.

Min. 3/4" for French Cleat.

NO RETURNS ON SPECIAL ORDER MANTELS

Please examine this order. Any changes must be made in writing. A signature below indicates the above information will be processed accordingly.

X _____

Mantel	
Delivery	
Subtotal	
Deposit	
Total	

ALL PAINT GRADE MANTELS MAY BE PARTIALLY MADE WITH MDF.
 FINISH AND INSTALLATION ON JOB SITE BY PURCHASER.
 NO CANCELATIONS - NO RETURNS

2443 SE 4th Ave
 Portland OR 97214
 Ph: 503-236-0696 : 800-223-7760
 Fax: 503-236-3738 : 800-596-3738

