

Rockwood Mantel

Name: _____

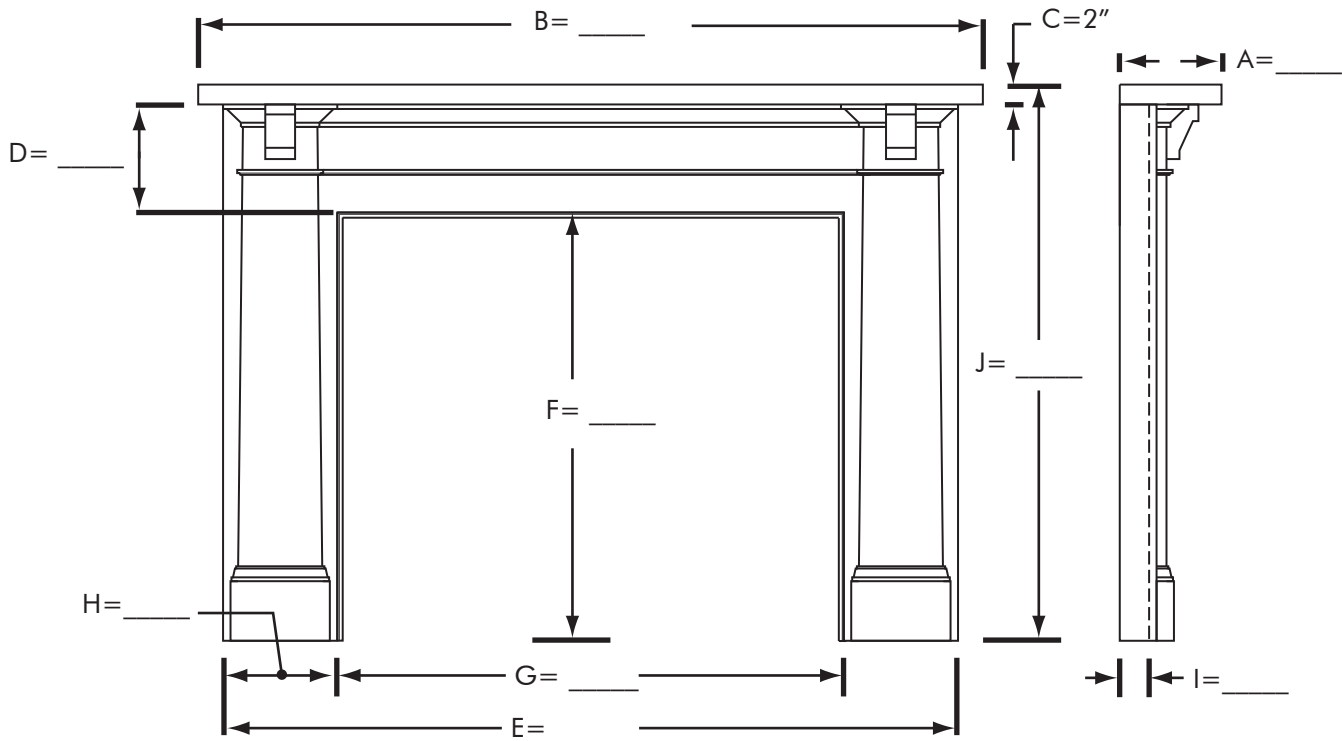
Phone: _____

- Paint grade
- Red oak
- Maple
- Cherry
- Mahogany
- _____

PO# _____

SO # _____

Order # _____



Please fill in all dimensions for a Rockwood Mantel:

A=I plus at least 5 1/4", 6" is better.

B=E plus at least 4".

C=2"

D=at least 10", 12" or more is better.

E=G+2(H)

F & G measurements do not include opening trim.

H=Leg dimension, about 11", 10" minimum. Any smaller and the applied column gets too narrow.

I is ALWAYS an interior, mantel cavity dimension. This is the depth of the masonry to be covered.

Min. 3/4" for French Cleat.

NO RETURNS ON SPECIAL ORDER MANTELS

Please examine this order. Any changes must be made in writing. A signature below indicates the above information will be processed accordingly.

X _____

Mantel	
Delivery	
Subtotal	
Deposit	
Total	

ALL PAINT GRADE MANTELS MAY BE PARTIALLY MADE WITH MDF.
 FINISH AND INSTALLATION ON JOB SITE BY PURCHASER.
 NO CANCELATIONS - NO RETURNS

Oregon Wood Specialties

Ph: 503-236-0696 Fax: 503-236-3738

www.oregonwood.net